

# ZOETROPE

Create moving images in forward and reverse with your Arduino when you connect a motor to an H-bridge and some still images

Discover : H-bridges

Time : 30 minutes

Level : ■■■■■■


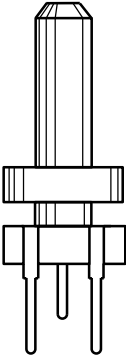
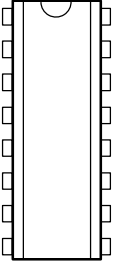
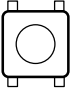
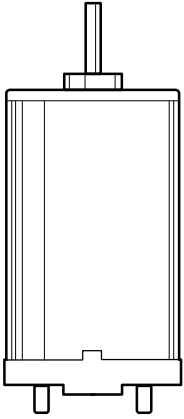
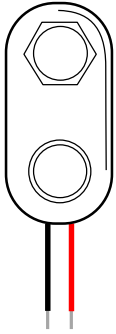
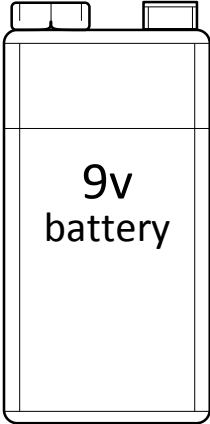
Builds on projects : 1,2,3,4,9

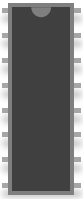
*Before the Internet, television, even before movies, some of the first moving images were created with a tool called a **zoetrope**. Zoetropes create the illusion of motion from a group of still images that have small changes in them. They are typically cylinders with slits cut in the side. When the cylinder spins and you look through the slits, your eyes perceive the still images on the other side of the wall to be animated. The slits help keep the images from becoming a big blur, and the speed at which the images appear provide cause the images to appear to move. Originally, these novelties were spun by hand, or with a cranking mechanism.*

In this project, you'll build your own zoetrope that animates a carnivorous plant. You'll power the motion with a motor. To make this system even more advanced, you'll add a switch that lets you control direction, another to turn it off and on, and a potentiometer to control the speed.

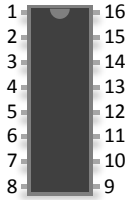
In the Motorized Pinwheel Project you got a motor to spin in one direction. If you were to take power and ground on the motor and flip their orientation, the motor would spin in the opposite direction. It's not very practical to do that everytime you want to spin something in a different direction, so you'll be using a component called an H-bridge to reverse the polarity of the motor.

## INGREDIENTS

						
RESISTOR 10 kΩ	POTENTIOMETER	H- BRIDGE	SWITCH	DC MOTOR	BATTERY SNAP	BATTERY
x2	x1	x1	x2	x1	x1	x1



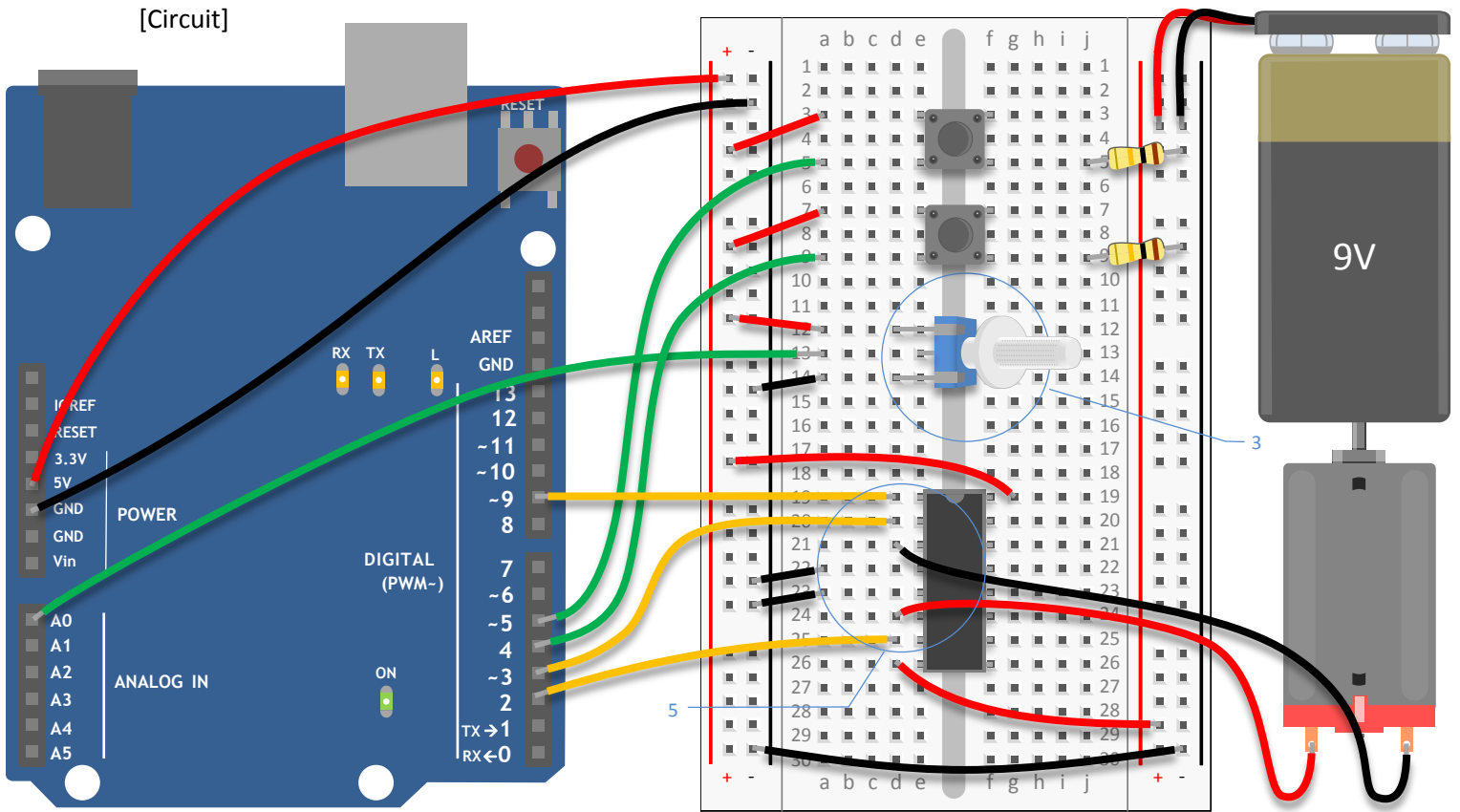
**H-bridges** are a type of component known as **integrated circuits (IC)**. ICs are components that hold large circuits in a tiny package. These can help simplify more complex circuits by placing them in an easily replaceable component. For example, the H-bridge you're using in this example has a number of transistors built in. To build the circuit inside the H-bridge you would probably need another breadboard.



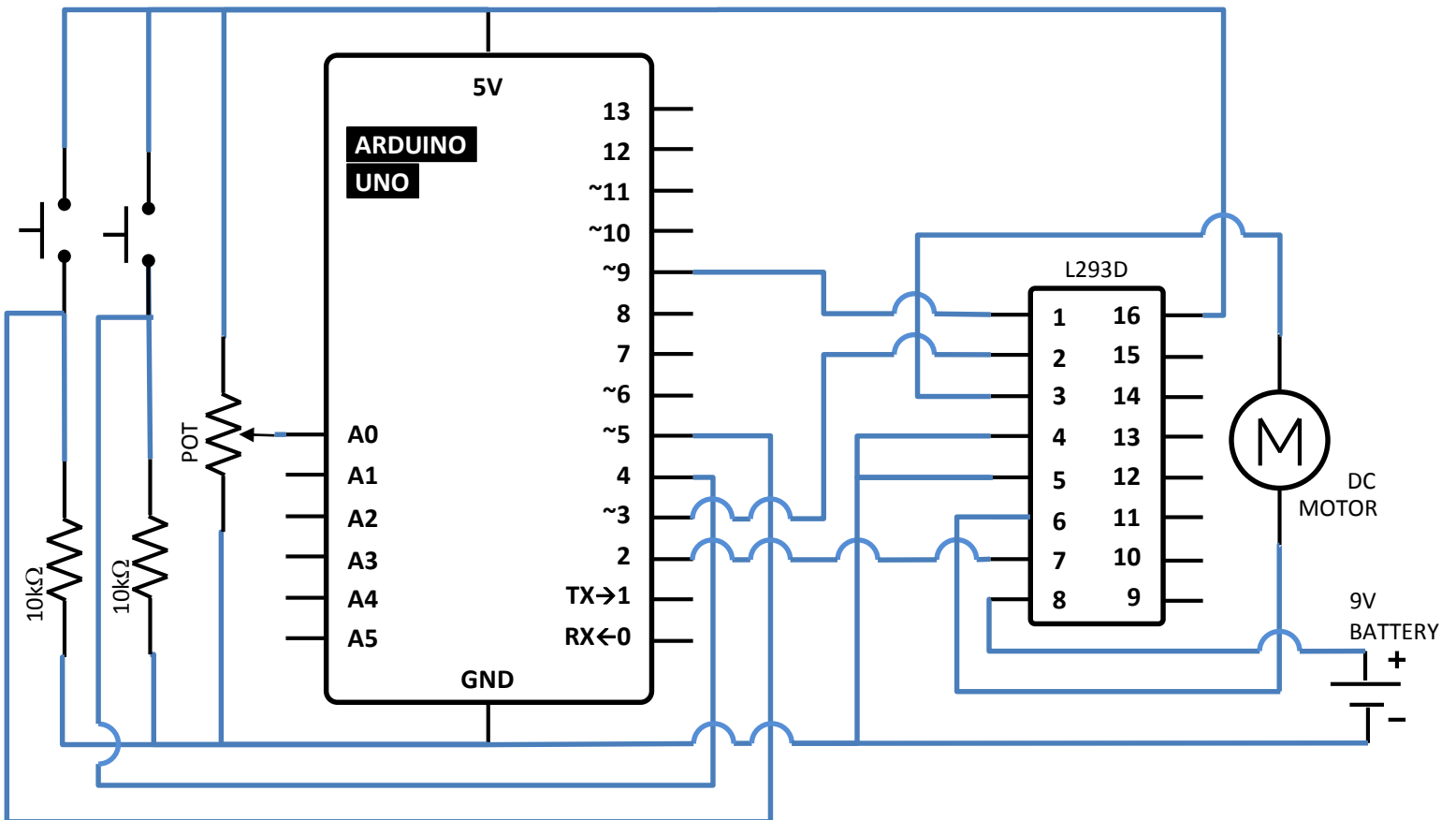
With an IC, you can access the circuits through the pins that come out the sides. Different ICs have different numbers of pins, and not all of them are used in every circuit. It's sometimes convenient to refer to the pins by a number instead of function. When looking at an IC, the part with a dimple is referred to as the top. You can identify pin numbers by counting from the top-left in a "U" direction like in Fig. 1.

# BUILD THE CIRCUIT

[Circuit]



[Schematic]



- 1) Connect power and ground from one side of your breadboard to the Arduino.
- 2) Add 2 momentary switches to the breadboard, connecting one side of each to power. Add a 10k $\Omega$  pull-down resistor in series with ground on the output pin of both switches. The switch on pin 4 will control direction, the switch on pin 5 will turn the motor on and off.
- 3) Connect the potentiometer to the breadboard. Wire 5V to one side and ground to the other. Attach the center pin to analog input 0 on the Arduino. This will be used to control the speed of the motor.
- 4) Place the H-bridge on you breadboard so it straddles the center (see Fig. 2 for details of placement). Connect pin 1 of the H-bridge to digital pin 9 on the Arduino. This is the enable pin on the H-bridge. When it receives 5V, it turns the motor on, when it receives 0V, it turns the motor off. You will use this pin to PWM the H-bridge, and adjust the speed of the motor.
- 5) Connect pin 2 on the H-bridge to digital pin 3 on the Arduino. Connect pin 7 to digital pin 2. These are the pins you will use to communicate with the H-bridge, telling it which direction to spin. If pin 3 is **LOW** and pin 2 is **HIGH**, the motor will spin in one direction. If pin 2 is **LOW** and pin 3 is **HIGH**, the motor will spin in the opposite direction. If both the pins are **HIGH** or **LOW** at the same time, the motor will stop spinning.
- 6) The H-bridge gets its power from pin 16, plug that into 5V. Pins 4 and 5 both go to the ground.
- 7) Attach you motor to pins 3 and 6 on the H-bridge. These two pins will switch on and off depending on the signals you send to pins 2 and 7.
- 8) Plug the battery connector (without the battery attached!) to the other power rails on your breadboard. Connect ground from your Arduino to the battery's ground. Connect pin 8 from the H-bridge to the battery power. This is the pin that the H-bridge powers the motor from. Make sure you do not have your 9V and your 5V power lines connected. They must be separate. Only ground should be connected between the two.

## THE CODE

### Name your constants and variables

Create the constants for the output and input pins

```
const int controlPin1 = 2;
const int controlPin2 = 3;
const int enablePin = 9;
const int directionSwitchPin = 4;
const int onOffSwitchStateSwitchPin = 5;
const int potPin = A0;
```

### Create the variables for remembering program state

Use variables to hold the values from your inputs. You'll be doing state change detection for both switches, comparing the state from one loop to the next, similar to the Hourglass Project. So, in addition to storing the current state, you'll need to record the previous state or each switch.

```
int onOffSwitchState = 0;
int previousOnOffSwitchState = 0;
int directionSwitchState = 0;
int previousDirectionSwitchState = 0;
```

### Create variables for motor control

**motorDirection** keeps track of which direction the motor is spinning, **motorSpeed** keeps track of which speed the motor is spinning and **motorEnabled** keeps track of whether the motor is spinning or not.

```
int motorEnabled = 0;
int motorSpeed = 0;
int motorDirection = 0;
```

### Declare the digital pins as inputs and outputs

In **setup()**, set the direction of each input and output pin.

```
void setup() {
  pinMode(directionSwitchPin, INPUT);
  pinMode(onOffSwitchStateSwitchPin, INPUT);
  pinMode(controlPin1, OUTPUT);
  pinMode(controlPin2, OUTPUT);
  pinMode(enablePin, OUTPUT);
}
```

### Turn the motor off

Turn the enable pin **LOW** to start, so the motor isn't spinning right away.

```
  digitalWrite(enablePin, LOW);
}
```

### Read sensor information

In your **loop()**, read the state of the On/Off switch and store it in the **onOffSwitchState** variable.

As well, read the values of the direction switch and potentiometer. Store the values in their respective variables.

```
void loop() {
  onOffSwitchState = digitalRead(onOffSwitchStateSwitchPin);
  delay(1);
}
```

```
directionSwitchState = digitalRead(directionSwitchPin);
motorSpeed = analogRead(potPin)/4;
```

### Check if on/off sensor has changed

If there is a difference between the current switch state and the previous, and the switch is currently **HIGH**, set the **motorEnabled** variable to 1. If it is **LOW**, set the variable to 0.

Read the values of the direction switch and potentiometer. Store the values in their respective variables.

```
if (onOffSwitchState != previousOnOffSwitchState) {
    if (onOffSwitchState == HIGH) {
        motorEnabled = !motorEnabled;
    }
}
```

### Check to see if the direction has changed

Check to see if the direction switch is currently in a different position that it was previously. If it is different, change the motor direction variable. There are only 2 ways for the motor to spin, so you'll want to alternate the variable between two states. One way to accomplish this is by using the inversion operator like so: **motorDirection = !motorDirection**.

```
if (directionSwitchState != previousDirectionSwitchState) {
    if (directionSwitchState == HIGH) {
        motorDirection = !motorDirection;
    }
}
```

### Change the pins to turn the motor in the proper direction

The **motorDirection** variable determines which direction the motor is turning. To set the direction, you set the control pins setting one **HIGH** and the other **LOW**. When **motorDirection** changes, reverse the states of the control pins.

If the direction switch gets pressed, you'll want to spin the motor in the other direction, reversing the state of the **controlPins**.

```
if (motorDirection == 1) {
    digitalWrite(controlPin1, HIGH);
    digitalWrite(controlPin2, LOW);
} else {
    digitalWrite(controlPin1, LOW);
    digitalWrite(controlPin2, HIGH);
}
```

### PWM the motor if it is enabled

If the **motorEnabled** variable is 1, set the speed of the motor using **analogWrite()** to PWM the enable pin. If **motorEnabled** is 0, then turn the motor off by setting the **analogWrite** value to 0.

```
if (motorEnabled == 1) {
    analogWrite(enablePin, motorSpeed);
} else {
    analogWrite(enablePin, 0);
}
```

### Save the current states for the next loop()

Before exiting the **loop()**, save the current state of the switches as the previous state for the next run through the program.

```
previousDirectionSwitchState = directionSwitchState;  
previousOnOffSwitchState = onOffSwitchState;  
}
```

## USE IT

Once you've verified that the circuit works as expected disconnect the battery and the USB from the circuit.

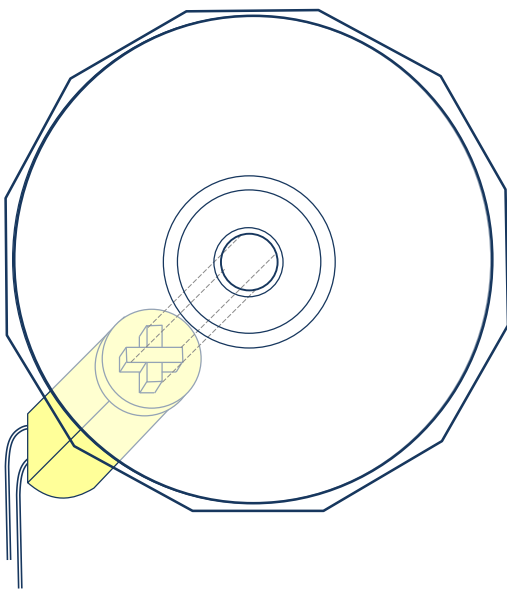
Plug the Arduino into the computer. Attach the battery to the connector. When you press the On/Off switch, the motor should start spinning. ~~If you turn the potentiometer, it should speed up and slow down.~~ Also if you turn the knob on the pot, you should see the motor speed up or slow down depending on the value it is sending. Pressing the On/Off button another time will stop the motor. Try pressing the direction button and verify the motor spins both ways. ~~Also if you turn the knob on the pot, you should see the motor speed up or slow down depending on the value it is sending.~~



In order to build your zoetrope, you must take the pinwheel you used in Project 9 and cutout with the vertical slits that is included with in your kit. Once the CD is securely attached to the shaft of the motor, plug everything back in. Hold your project up, so you can look through the slits (but make sure the CD is secured to the motor, and don't get too close to it). You should see the sequence of still images "move"! If it is going too fast or too slow, turn the knob of the potentiometer to adjust the speed of the animation.

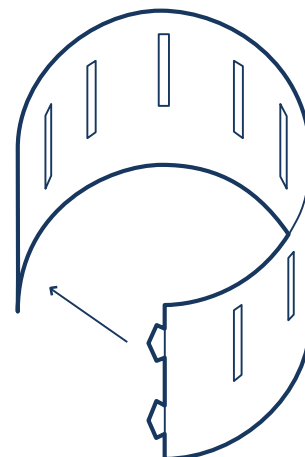
Try pressing the direction switch to see what the animation looks like when played backwards. The zoetrope and images provided in the kit are only your starting point: try experimenting with your own animations, using the cutout as a reference.

To do this, start with a basic image. Identify one fixed point on it, and make small changes to the rest in each frame. Try to gradually return to the original image so that you can play the animation in a continuous loop.

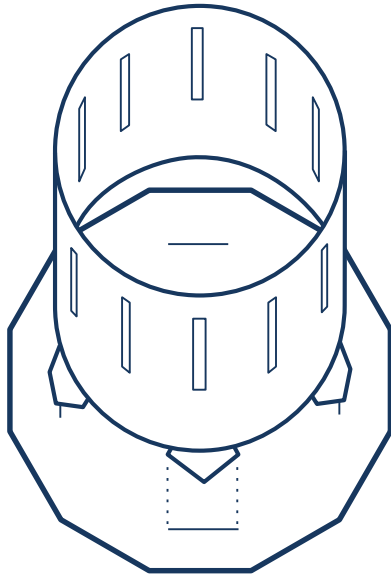


1. Secure the CD onto the wooden base. Add a drop of glue to make sure it doesn't spin loose when the motor starts.

2. Use the tabs to close the cutout, forming a circle

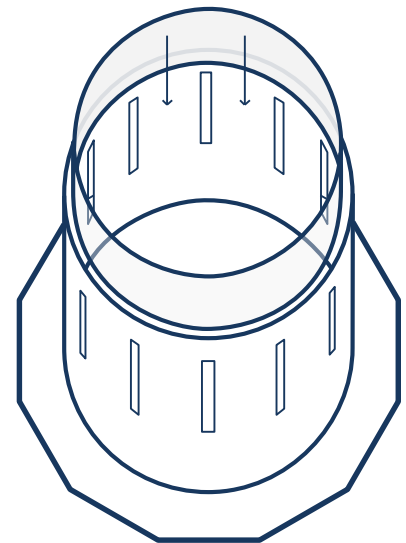






3. Insert the four tabs into the base of the zoetrope.

4. Insert the strip of paper with the images inside the zoetrope



Zoetropes work because of a phenomenon called "persistence of vision", sometimes abbreviated to POV. POV describes the illusion of motion that is created when our eyes observe still images with minor variations in rapid succession. If you search online "POV display", you'll find many projects made by people that leverage this effect, often with LEDs and an Arduino.



Make a base to support the motor. A small cardboard box with a hole cut in it could work as a base, leaving your hands free to play with the wheels and knob. This will make it easier to show off your work to everyone.

With a little work, you can get your zoetrope working in low light situations as well. Hook up an LED and resistor to one of your free digital output pins. Also add a second potentiometer, and connect it to an analog input. Position the light so it shines on the images. Using the analog input to time the flashes of the LED, try and time it so the light flashes when the slit is in front of your eyes. This could take some fiddling with the knobs, but the resulting effect is really spectacular!

